

Small Cell / Repeater



TRAILER SPECIFICATIONS

- 8,000-lb. GVWR
- 2,000-lb. Leveling Jacks (4)
- 12,000-lb. 2" Ball Hitch - Vertically Adjustable
- Fully Retractable Trailer Tongue
- 205/75/R15 Tires on 15" x 6" Rims with 1/2" Studs
- Takes Up a Mere 9' x 8' Parking Space
- Spare Tire Included
- Hot Dipped Galvanized, Universal Mounting, Steel Grating Trailer Deck
- Electric Brakes (Both Axles) With Emergency Break-Away
- LED Lights Throughout
- Aluminum Storage Cabinet with Linex® Coated Interior
- All Attaching Hardware Stainless Steel or Grade-8 With Yellow Zinc Finish

CONFIGURATION SPECIFICATIONS

Pneumatic Mast:

- 25' 300-lb. Payload Capacity Locking Mast
- Rotates to a Horizontal Position for Transportation
- Protective Weather Cover Included
- Guy Kit Included

Generator:

- Cummins / Onan
- 10 kW 1-Phase, 3-Wire, 120/240 Volt
- 1Ø 120 Volt 83.3 Amps
- 1Ø 240 Volt 41.7 Amps
- 48 Hour Fuel Cell
- Custom Generator Enclosure

Equipment:

- U.L.® Listed NEMA 3R Communications Cabinet
- R4 Double-Sided Reflective Insulation Throughout
- Polyester Powder Coat Paint Finish - White in Color
- Universal 19"/23" Equipment Mounting Rails
- Exterior Grounds on Both Sides
- (2) 4,000 BTU/Hr HVAC Units
- Alarm Panel (NC Dry Contacts) Smoke Alarm, Intrusion Alarm, Hi & Low Temperature Alarms
- Multiple Location R/F Entry Ports
- Mounting Provisions for 6 Remote Radio Heads
- Pipe Mounting Provisions For More Equipment

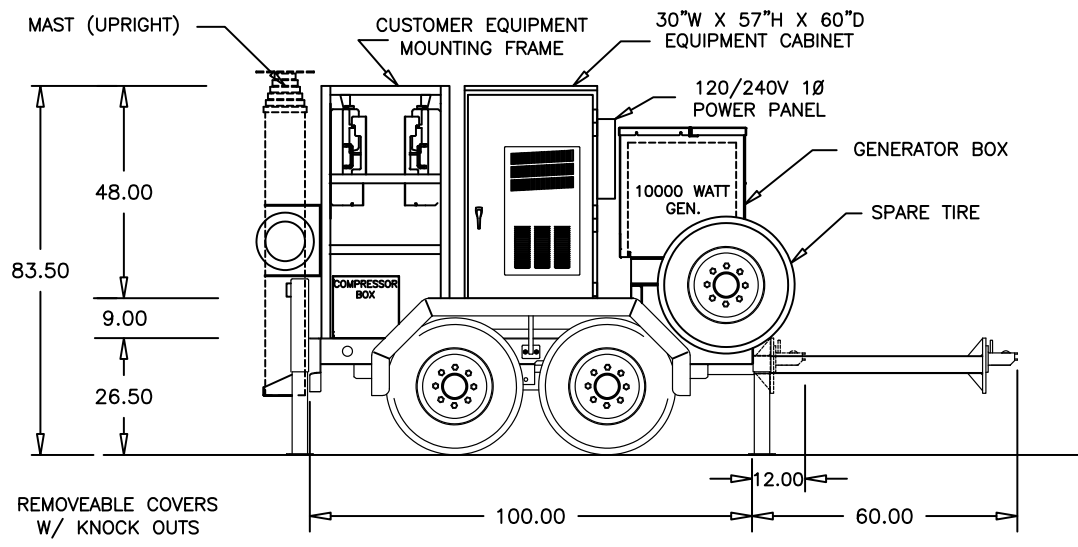
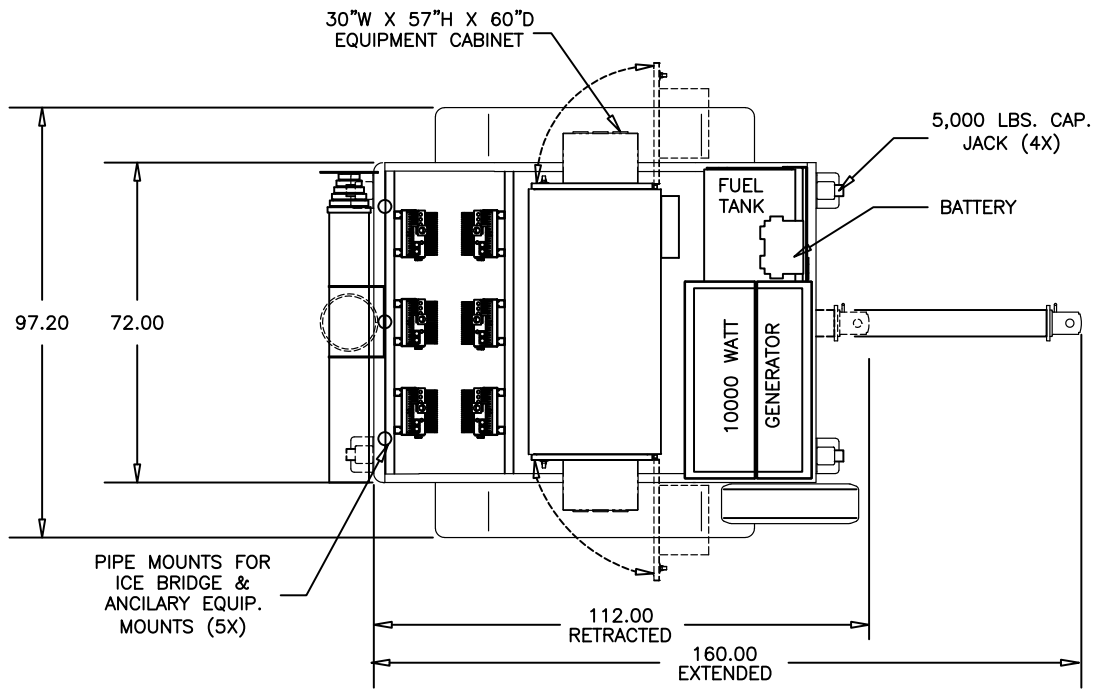
Equipment cont.:

- (4) Heavy-Duty Trailer Stabilizing Jacks
- (4) Heavy-Duty Jack Pads—18"x18" w/Handles
- (2) Wheel Chocks
- (4) Safety Cones
- Tool Box with Basic Tool Kit

Options/Add-ons:

- 3-Sector Antenna Mounting System
- Mid-Level Microwave Mount
- Pan & Tilt Microwave Mount with Controller





PROPRIETARY PROPOSAL

**** PROPRIETARY AND CONFIDENTIAL ****
 Copyright © 2015 Sun West Engineering, Inc.
 THIS PROPOSAL CONTAINS TRADE SECRETS AND OTHER PROPRIETARY AND CONFIDENTIAL INFORMATION OF SUN WEST ENGINEERING, INC.
 THIS DOCUMENTS AND IT'S CONTENTS, INCLUDING WITHOUT LIMITATION THE DRAWINGS AND OTHER INFORMATION HEREIN, ARE THE SOLE AND EXCLUSIVE PROPERTY OF SUN WEST ENGINEERING, INC.
 ANY DUPLICATION, DISCLOSURE, OR USE OF ANY PORTION OF THIS DOCUMENT REQUIRES THE PRIOR WRITTEN CONSENT OF SUN WEST ENGINEERING, INC

SUN WEST ENGINEERING, INC. 3802 E. BROADWAY, PHOENIX, AZ 85040 (602) 276-0682	
TITLE: SUN WEST EQUIPMENT TRAILER	
CUSTOMER:	
PLOT SCALE: .XXXX=1	SHEET: 1 of 1
DRAWN BY: <i>HJM</i>	DATE DRAWN: 4-8-15
REVISED: 8-25-15,HJM	DWG. No. SW-5076